



Manual

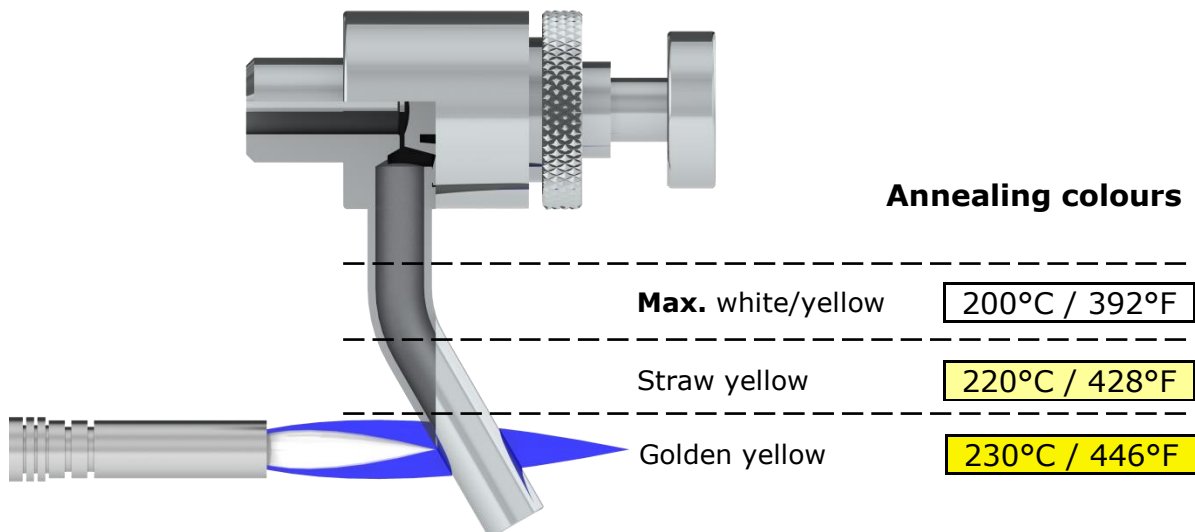
Drain sterilization by flaming

Product

PEMS II sterile sampling valve
Flameable DN6
Version with pipe nozzle, 40mm length
Drain sterilization by flaming
Preferably with membrane Viton, alternatively EPPM

Procedure

1. Ensure that the drain chamber is empty and the valve is closed.
2. Flaming the pipe according to the illustration **without annealing the valve body under any circumstances!**
3. Take sample.
4. Close the valve by gently tightening the hand wheel.



Note for flaming procedure:

- Only flame below pipe bending!
- Flame from bottom pipe ending (intensively) towards pipe bending (slightly).